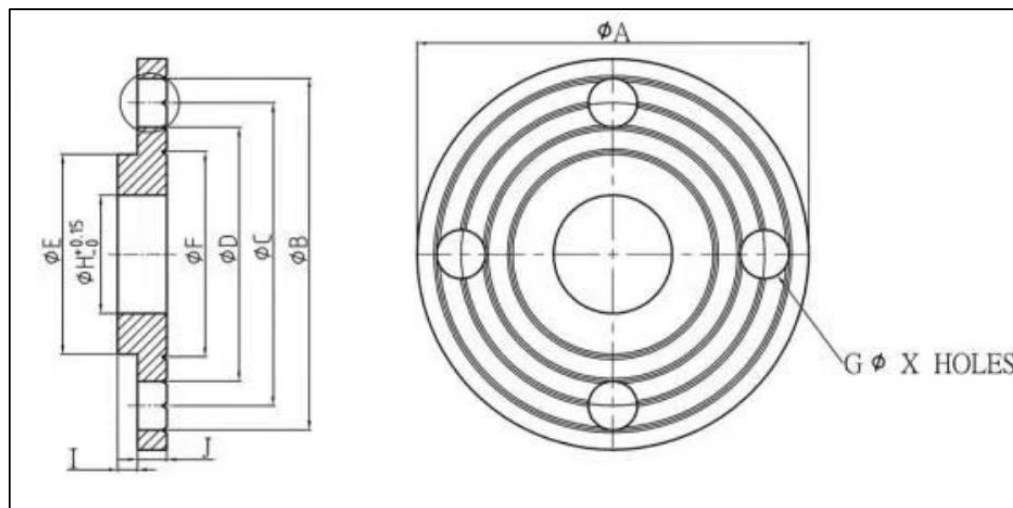


BRIDA SLIP-ON SANITARIA



TIPO DE ACERO: T-304
PRESIÓN: 150lbs.

COMPOSICIÓN QUÍMICA (%)								
304	(C)	(Si)	(Mn)	(P)	(S)	(Cr)	(Ni)	(Mo)
	0.08	1.00	2.00	0.045	0.03	18-20	8-11	-



DIMENSIONES (mm)

Size	A	B	C	D	E	F	G	H	I	J
1"	108.0	95.3	79.4	63.5	49.2	47.6	15.9 x 4	25.8	4.7	9.5
1.5"	127.0	114.3	98.4	82.6	65.0	66.7	15.9 x 4	38.5	6.4	9.5
2"	152.4	139.7	120.7	101.6	76.2	82.6	19.1 x 4	51.2	8.0	11.0
2.5"	177.8	158.8	139.7	120.7	90.5	101.6	19.1 x 4	63.9	8.0	11.0
3"	190.5	171.5	152.4	133.4	107.9	114.3	19.1 x 4	76.6	9.5	12.7
4"	228.6	209.6	190.5	171.5	134.9	152.4	19.1 x 4	101.9	9.5	12.7
6"	279.4	260.4	241.3	222.3	196.9	203.2	19.1 x 8	152.8	9.5	12.7