

Válvula Bola Clamp SMT M42

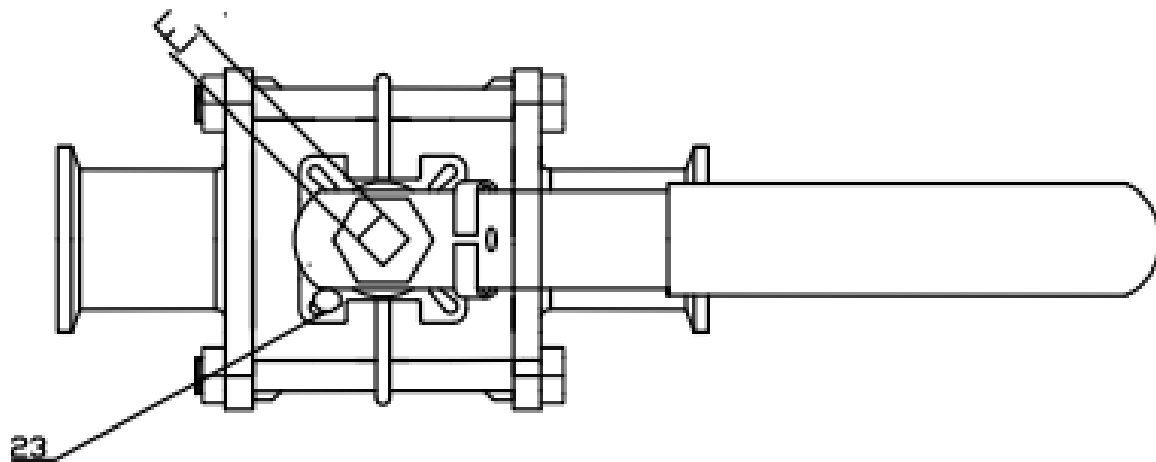


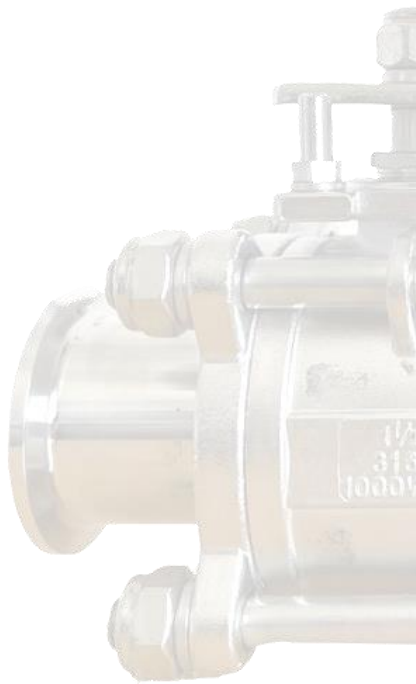
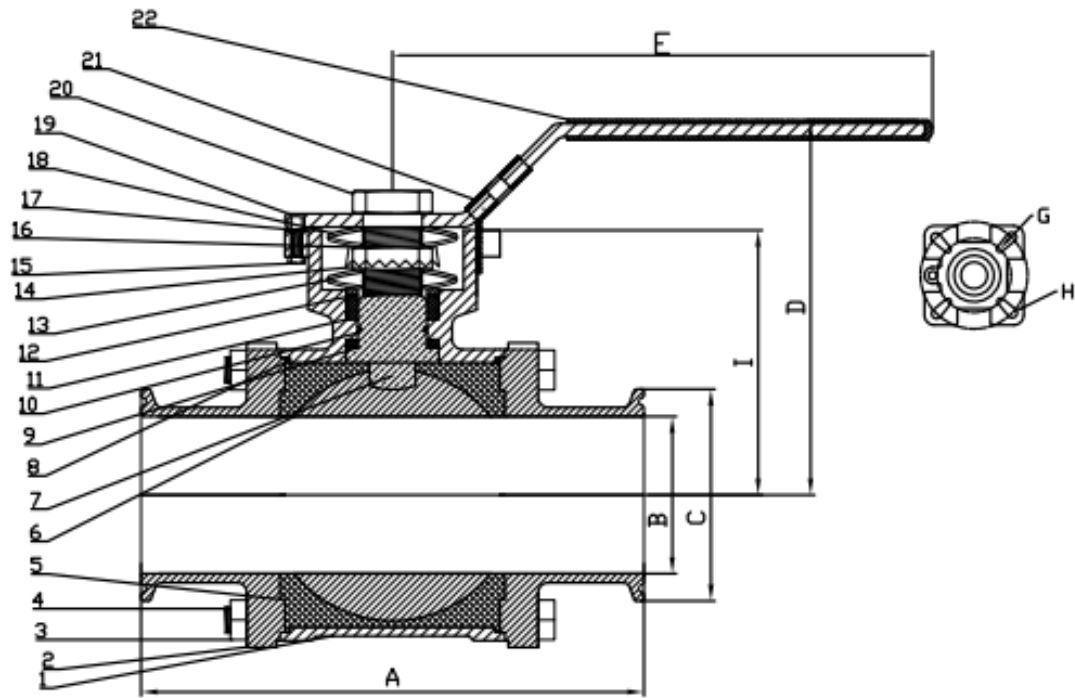
TIPO DE ACERO:	316L
EMPAQUE:	PTFE
TEMPERATURA DE TRABAJO:	-20°C - 150°C
PRESIÓN:	8 – 10 bar
TIPO DE CONEXIÓN:	Clamp

COMPOSICIÓN QUÍMICA (%)								
316	C	SI	MN	P	S	Cr	Ni	Mo
	0.027	0.458	1.265	0.037	0.008	16.095	10.109	2.015

PROPIEDADES MECÁNICAS			
Elongation(%) Min 35%	Tensile Strenght kg/mm2	Yield Strenght Kg/mm2	Hardness (HRB)
55	556	280	78

SIZE	A ±0.3	B ±0.6	C ±0.6	D ±1	E ±1	F	G	H	I ±1
½"	90.5	9.4	25.2	64	131	9	F03	F04	37
¾"	103.4	15.75	25.2	68	131	9	F03	F04	43
1"	114.2	22.1	50.5	86	169	11	F04	F05	51
1 ½"	136.7	34.8	50.5	122.5	213	14	F05	F07	71
2"	153.2	47.5	64	122.5	213	14	F05	F07	79
2 ½"	167.3	60.2	77.5	139.5	213	14	F05	F07	94
3"	192.3	72.9	91	165	320	17	F07	F10	109.5
4"	239.5	97.4	119	177	320	17	F07	F10	123





No.	Name	Number	Material
1	Body	1	ASTM-A351-CF3M
2	Cap	2	ASTM-A351-CF3M
3	Hexnut	4	SS304
4	Bolt	4	SS304
5	Seat	2	PTFE
6	Ball	1	SS316L
7	Stem	1	SS316L
8	Stem packing	2	PTFE
9	Ring	1	PTFE
10	O-Ring	1	VITON
11	Thrust washer	3	PTFE
12	Gasret	1	SS304
13	Butterfly spring	2	SS304
14	Hexnut	1	SS304
15	Hexnut	1	SS304
16	Belleviue washer	1	SS304
17	Bolt	1	SS304
18	Butterfly spring	2	SS304
19	Handle	1	SS304
20	Handle nut	1	SS304
21	Lock washer	1	SS304
22	Handle cover	1	PLASTIC
23	Stop pin	1	SS304